

Armored R12 Sink 19" x 20" – U/M



Kitchen Sinks

Code: 4236 660

AISI 304 Stainless steel

Satin finish

Undermount

x cross bending for easy water draining



DETAILS

Edge/Installation Type Undermount

Series Armored R12

Texture Satin

Material AISI 304 stainless steel

Thickness 16 Gauge (1.5 mm)

Overall dimensions 19" x 20"

Bowls dimensions 1 bowl 17" x 18"

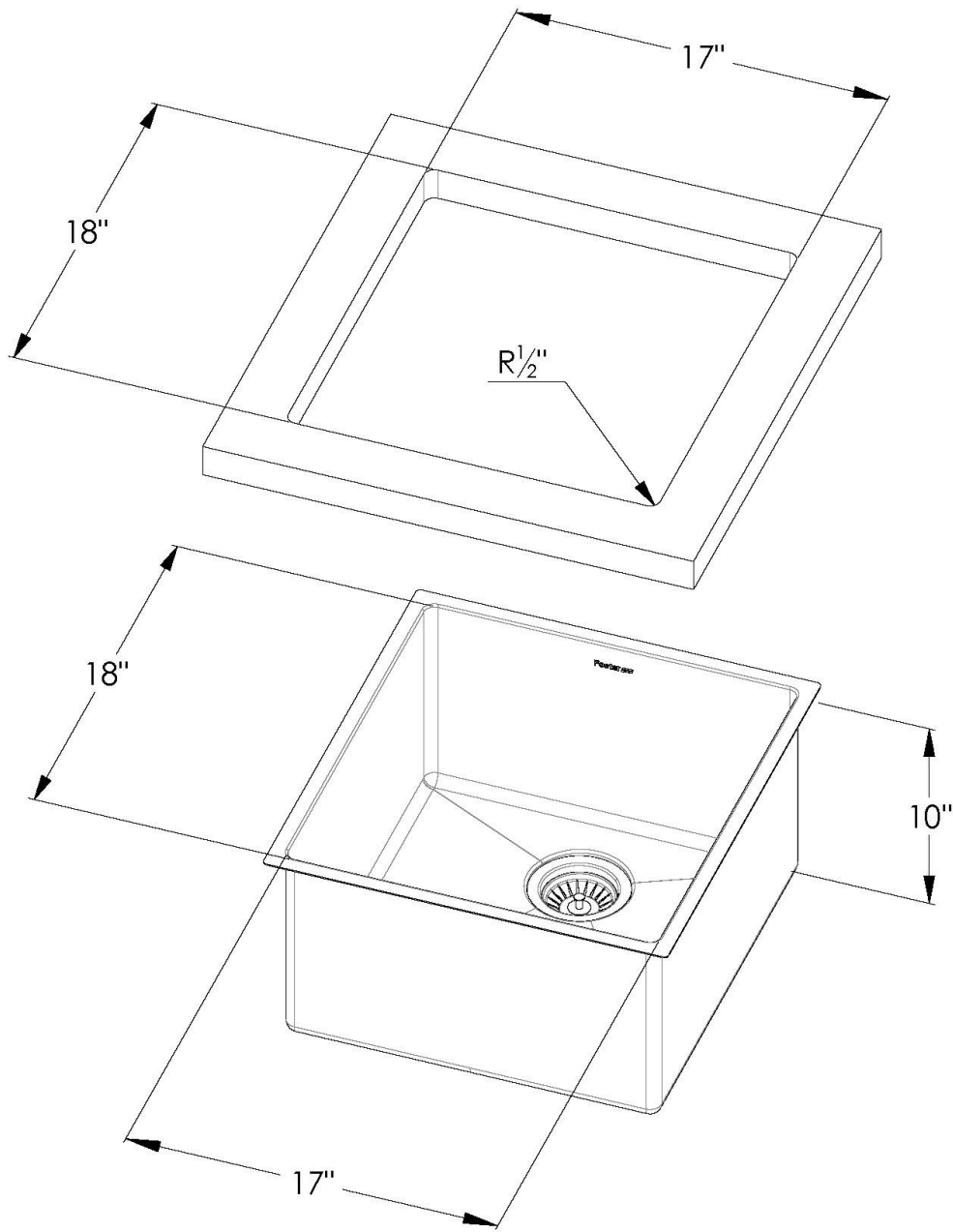
Bowls depth 10"

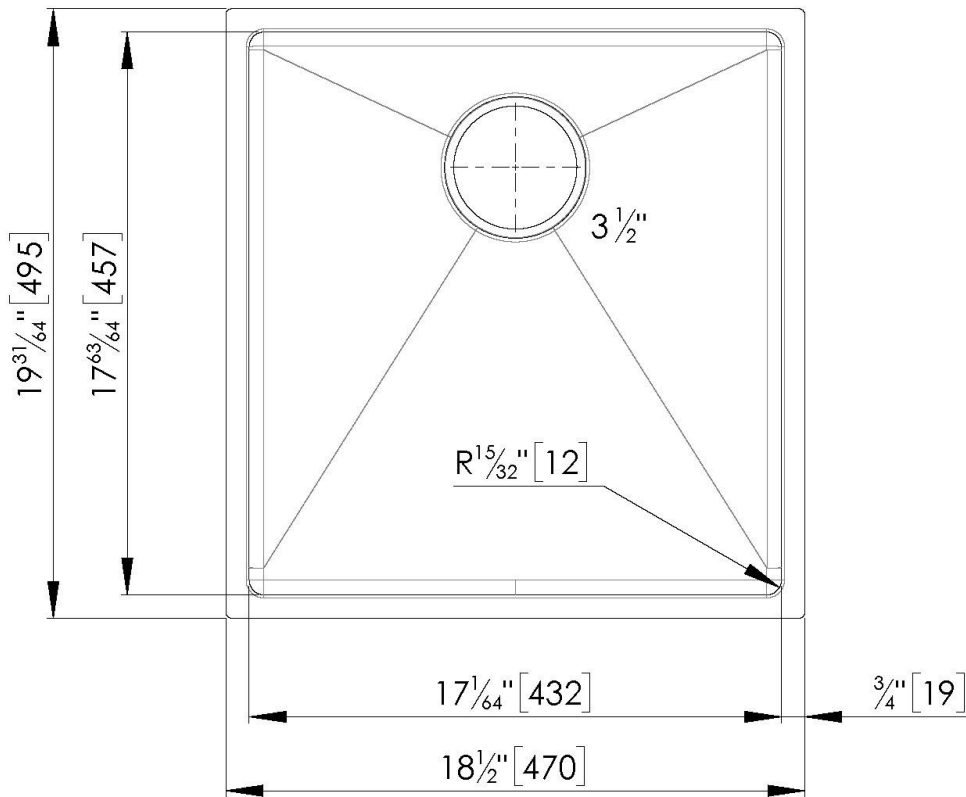
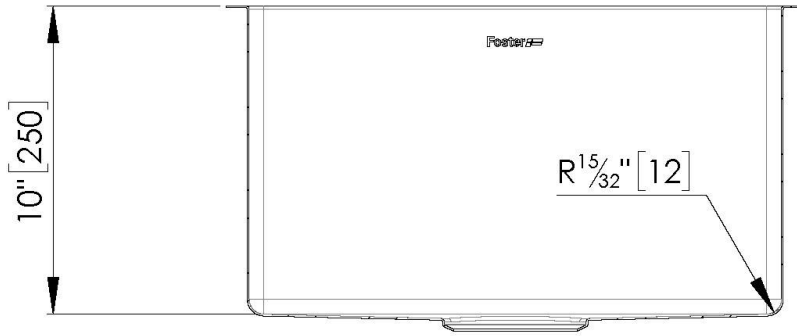
Cut out	17" x 18" radius 1/2"
Waste fitting type	3 1/2" - with stainless steel basket
Bowls bottom	X cross bending for easy water draining
Underside	Protected with heavy duty undercoating
Fixing system	Undermount fixing kit (brass insert and clips)

FEATURES

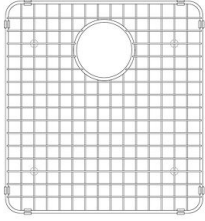
Diamond-shape bottom	The draining of water is an important feature in a sink, and it's always taken good care of in Foster products. In the bent-welded sinks, which would have a flat bottom, the proper draining is guaranteed by the elegant beveling, which helps the water flow.
High thickness	1.5 mm thick steel. A significant thickness, which guarantees the maximum sturdiness and durability.
Basket 3,5" waste fitting	The drain is equipped with a large 3.5" drain, with the practical basket cap that prevents the discharge of solid parts.
Deep bowls	This bowls reach an important depth, over 20 cm, thanks to the advanced production technology, that can be offer great capieny and practicity in all the washing operations.
Small radius	Bowls with squared shapes with a modern design and an increased capacity, for a minimal aesthetics connected with an extreme practicity.

TECHNICAL DATA





OPTIONAL ACCESSORIES



Grid
8100 402



Expandable colander
8110 020



Chopping board
8644 034



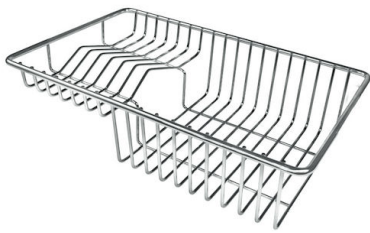
Stainless steel plate rack
8100 154
* only in combination with the accessory
8644 034



Twin Chopping Board
8644 102



Stainless steel perforated pan
8151 000
* only in combination with the accessory
8644 102



Stainless Steel dishes holder
8100 303
* only in combination with the accessory
8644 102



Grating kit complete with ring support and food collection tray
8159 101
* only in combination with the accessory
8644 102

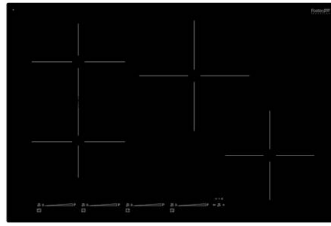


Waste disposer throat
8669 043

RECOMMENDED PAIRINGS



Faucet Capri
8467 005



Induction Cooktop 30"
7371 947